

NCP1521B Adjustable Output Voltage Step-Down Converter Simulation Procedure



ON Semiconductor®

<http://onsemi.com>

Prepared by: Bertrand Renaud
On Semiconductor

SIMULATION NOTE

Overview

The NCP1521B step-down PWM DC-DC converter is optimized for portable applications powered from one cell Li-ion or three cell Alkaline/NiCd/NiMH batteries.

The part is available in adjustable output voltage versions ranging from 0.9 V to 3.3 V. It uses synchronous rectification to increase efficiency and reduce external part count. The device also has a built-in 1.5 MHz (nominal) oscillator which reduces component size by allowing smaller inductors and capacitors. Automatic switching PWM/PFM mode offers improved system efficiency.

Additional features include integrated soft-start, cycle-by-cycle current limiting and thermal shutdown protection. The NCP1521B is available in space saving, low profile TSOP5 and UDFN6 packages.

Model Package

NCP1521B model has been developed on ORCAD Capture & Pspice 15.7. It includes NCP1521B typical application schematic (NCP1521B.DSN), NCP1521B simulation library (NCP1521B.LIB) and NCP1521B package (NCP1521B.OLB).

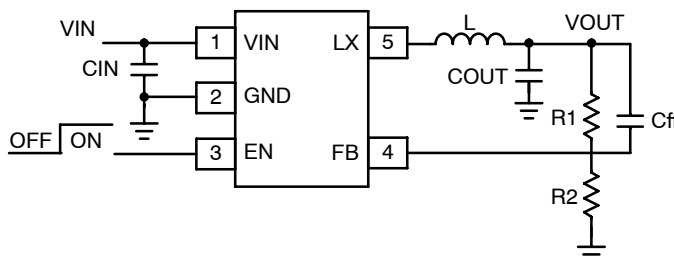


Figure 1. Typical Application - TSOP-5

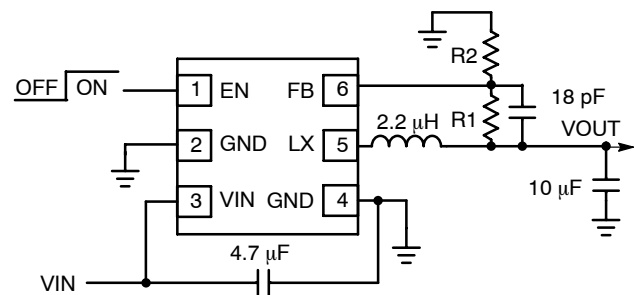
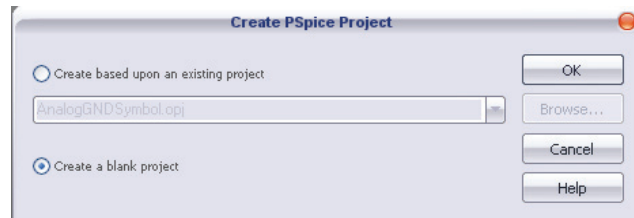
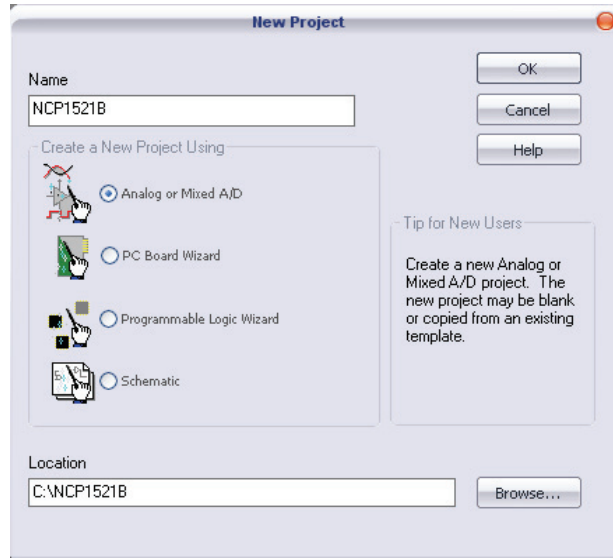


Figure 2. Typical Application - UDFN6

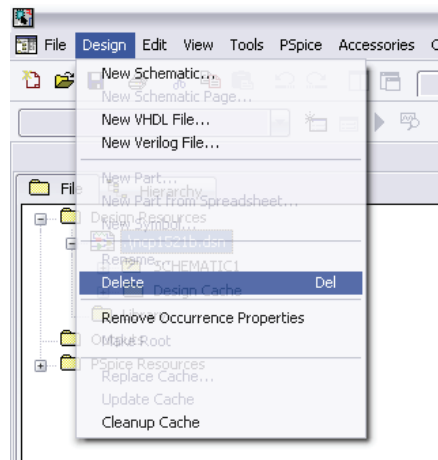
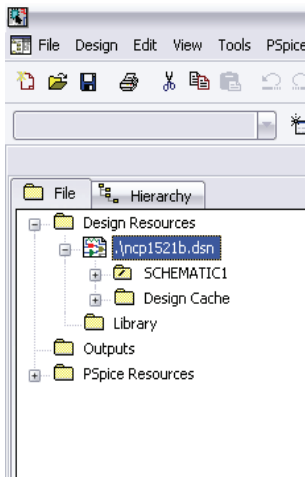
Model Installation

This procedure describes one method to correctly simulate this model.

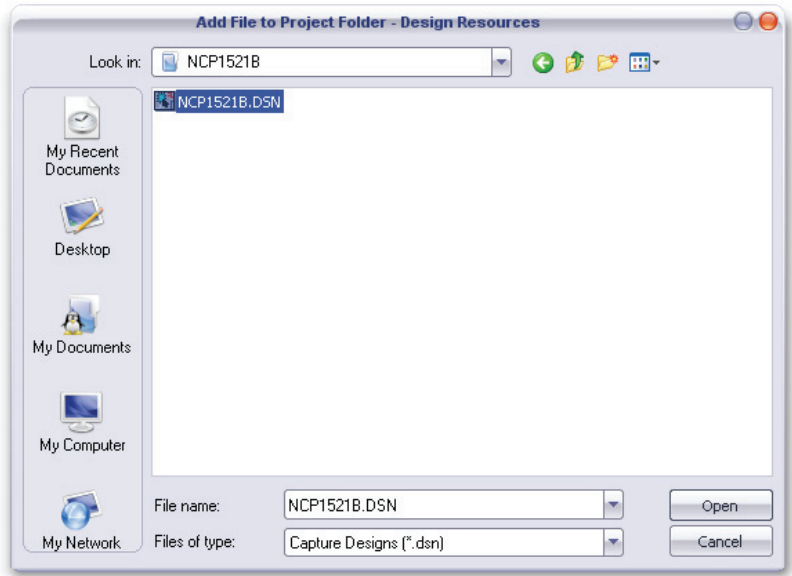
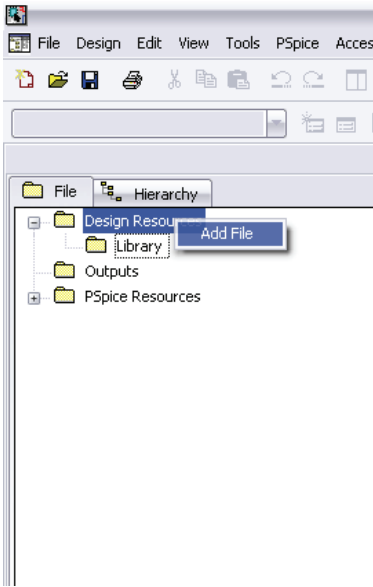
1. Run ORCAD Capture and start a new blank project development.



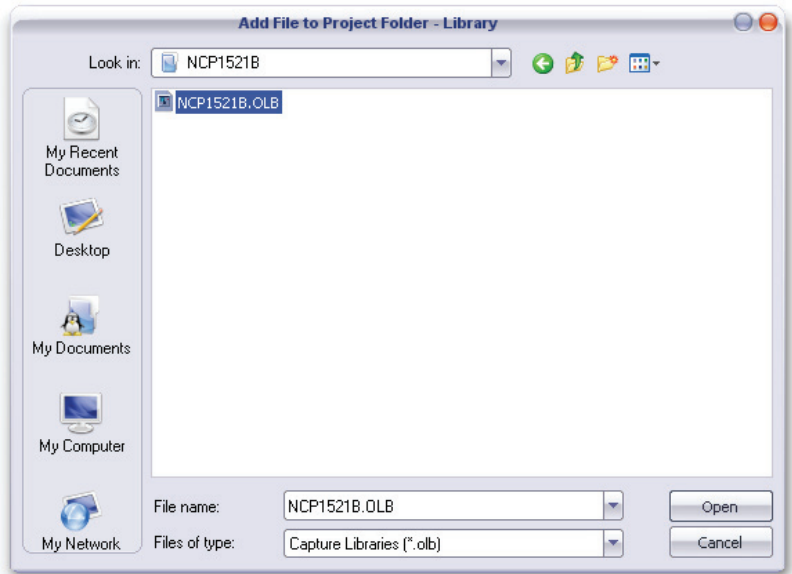
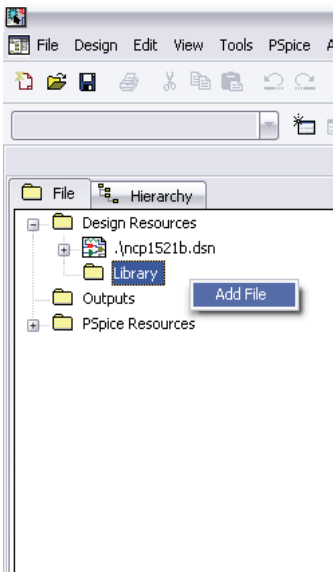
2. Delete the current blank design



3. Import NCP1521.DSN schematic

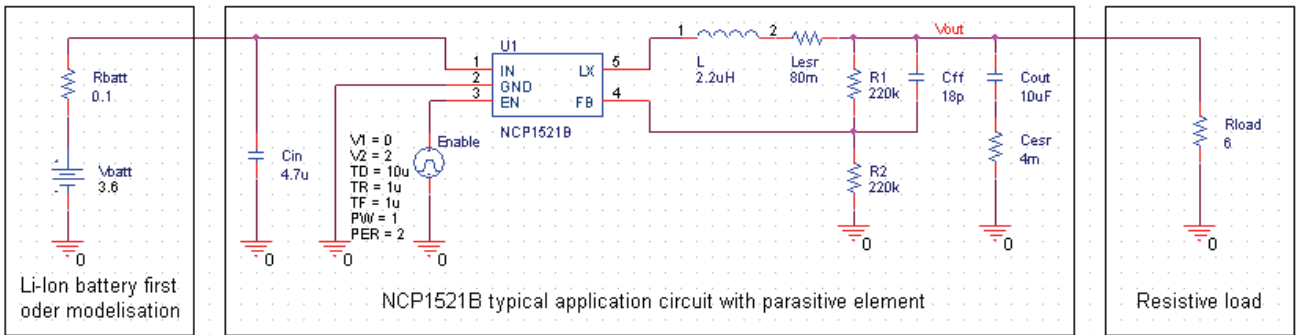
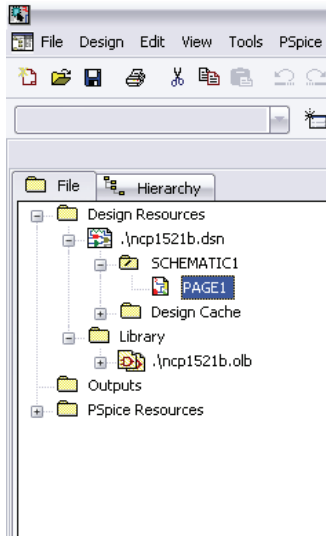


4. Import NCP1521B.OLB package too



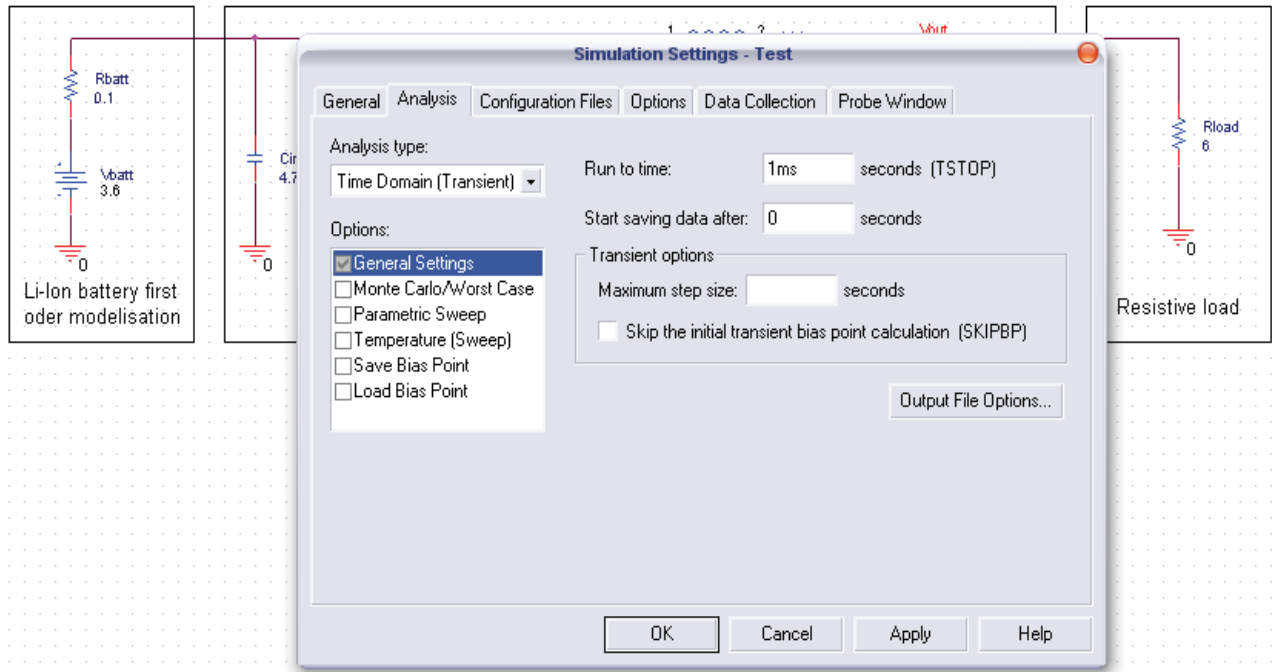
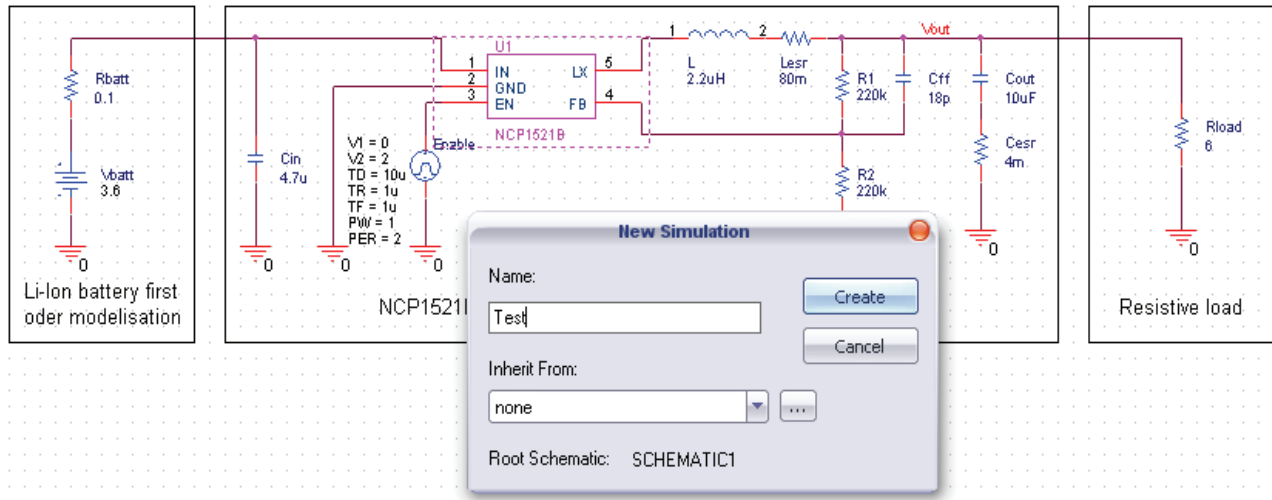
AND8285/D

5. Your hierarchical project looks like the following pictures



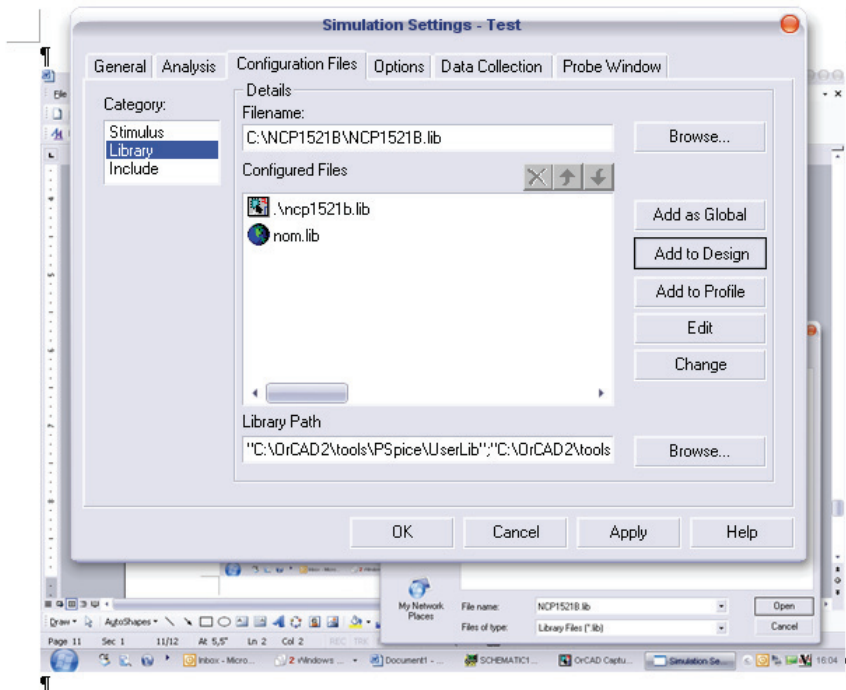
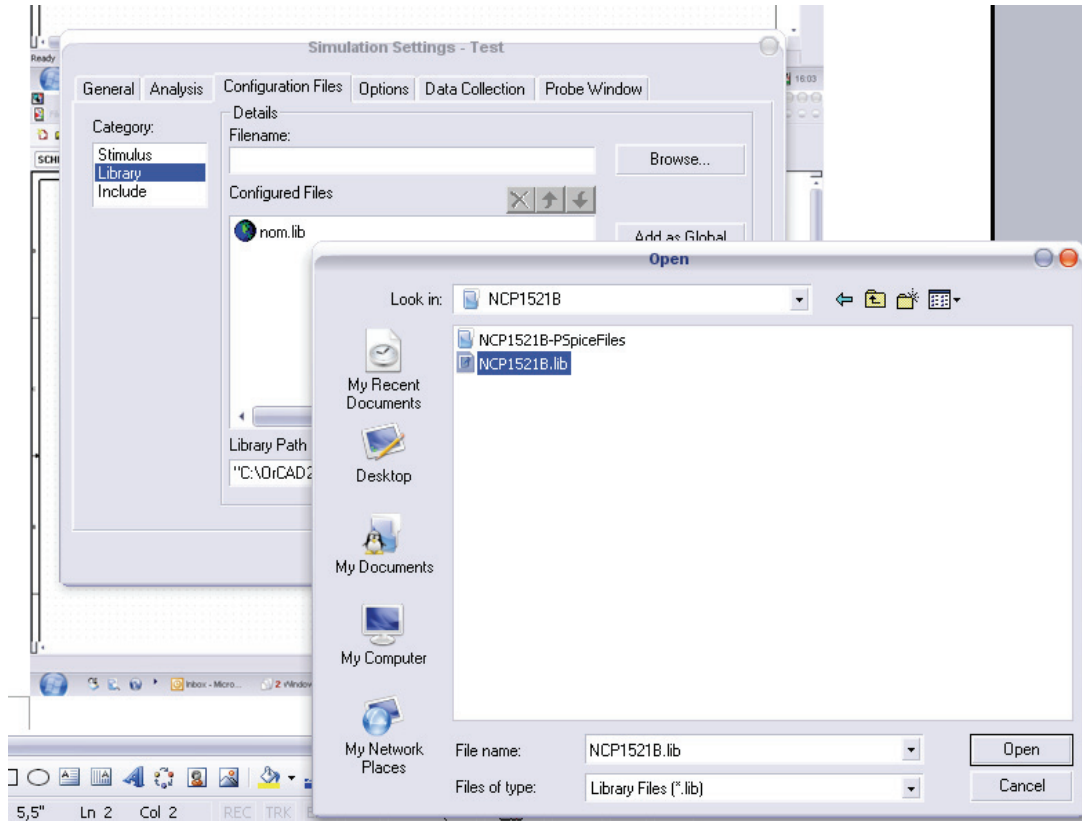
AND8285/D

6. To simulate the device, a new time domain simulation must be created:



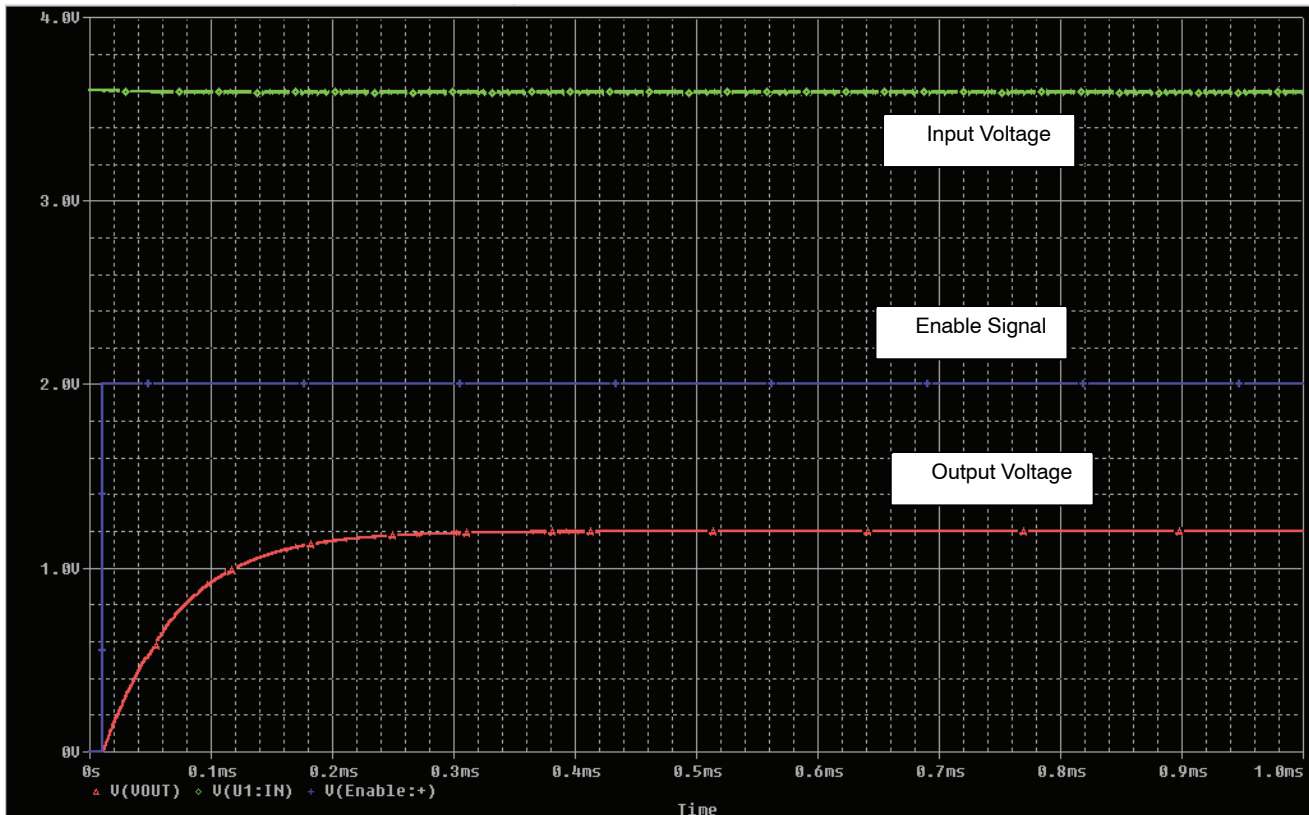
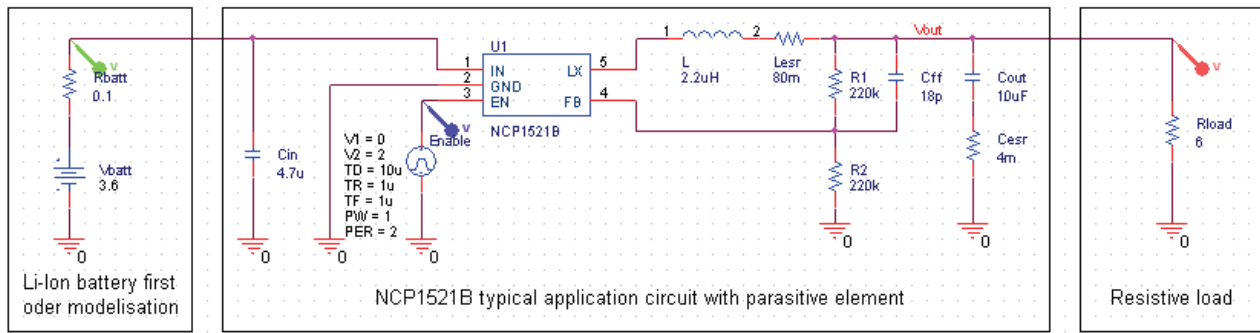
AND8285/D

7. NCP1521B.LIB simulation library file must be added to the current design.



AND8285/D

8. NCP1521B typical application circuit can be now simulated.



Additional Information

NCP1521B model is only a behavioral model which cannot fully reproduce NCP1521B device electrical characteristics. For further information on NCP1521B, visit our website <http://onsemi.com>.

ON Semiconductor and  are registered trademarks of Semiconductor Components Industries, LLC (SCILLC). SCILLC reserves the right to make changes without further notice to any products herein. SCILLC makes no warranty, representation or guarantee regarding the suitability of its products for any particular purpose, nor does SCILLC assume any liability arising out of the application or use of any product or circuit, and specifically disclaims any and all liability, including without limitation special, consequential or incidental damages. "Typical" parameters which may be provided in SCILLC data sheets and/or specifications can and do vary in different applications and actual performance may vary over time. All operating parameters, including "Typicals" must be validated for each customer application by customer's technical experts. SCILLC does not convey any license under its patent rights nor the rights of others. SCILLC products are not designed, intended, or authorized for use as components in systems intended for surgical implant into the body, or other applications intended to support or sustain life, or for any other application in which the failure of the SCILLC product could create a situation where personal injury or death may occur. Should Buyer purchase or use SCILLC products for any such unintended or unauthorized application, Buyer shall indemnify and hold SCILLC and its officers, employees, subsidiaries, affiliates, and distributors harmless against all claims, costs, damages, and expenses, and reasonable attorney fees arising out of, directly or indirectly, any claim of personal injury or death associated with such unintended or unauthorized use, even if such claim alleges that SCILLC was negligent regarding the design or manufacture of the part. SCILLC is an Equal Opportunity/Affirmative Action Employer. This literature is subject to all applicable copyright laws and is not for resale in any manner.

PUBLICATION ORDERING INFORMATION

LITERATURE FULFILLMENT:

Literature Distribution Center for ON Semiconductor
P.O. Box 5163, Denver, Colorado 80217 USA
Phone: 303-675-2175 or 800-344-3860 Toll Free USA/Canada
Fax: 303-675-2176 or 800-344-3867 Toll Free USA/Canada
Email: orderlit@onsemi.com

N. American Technical Support: 800-282-9855 Toll Free
USA/Canada
Europe, Middle East and Africa Technical Support:
Phone: 421 33 790 2910
Japan Customer Focus Center
Phone: 81-3-5773-3850

ON Semiconductor Website: www.onsemi.com
Order Literature: <http://www.onsemi.com/orderlit>
For additional information, please contact your local
Sales Representative